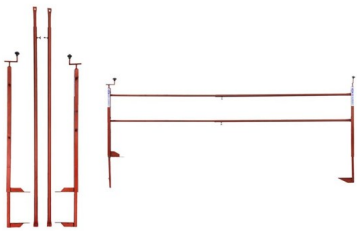
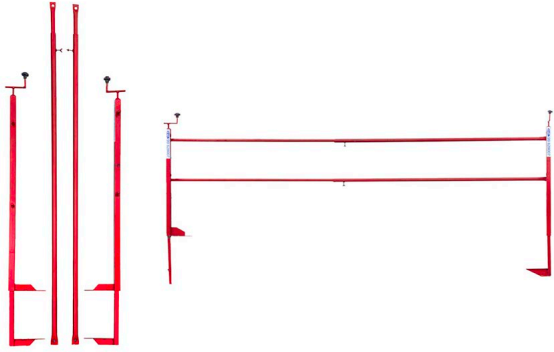


Stairs, Verandas and Roof Protectors





Our company has designed and built a new pioneering product for reliable safety at your workplace.

Rating: Not Rated Yet
[Ask a question about this product](#)

Description

Stair, verandas and roof protectors are made of steel there easy to transport assemble quickly without any difficulty.

With the stair and roof protectors you can prevent any workplace accidents, keeping your workers safe. Also with verandas protectors you can avoid a large cost of scaffolding. For us, Health & Safety plays a leading role that's why we have built this new leading tool.

Dimensions

Height Folding Column Maximum
 height 1.85cm

 Minimum
 height 1.35cm

Pipes Required
 protection
 height 1.10cm
 1.00cm folding
 1.70cm

26mm-32mm
 1.50cm folding
26mm-32mm 2.20cm

26mm-32mm 2.00cm folding
 2.50cm

Weight 1.4kg pipe
 1.00cm

 2.3kg pipe
 1.50cm

 2.8kg pipe
 2.00cm

